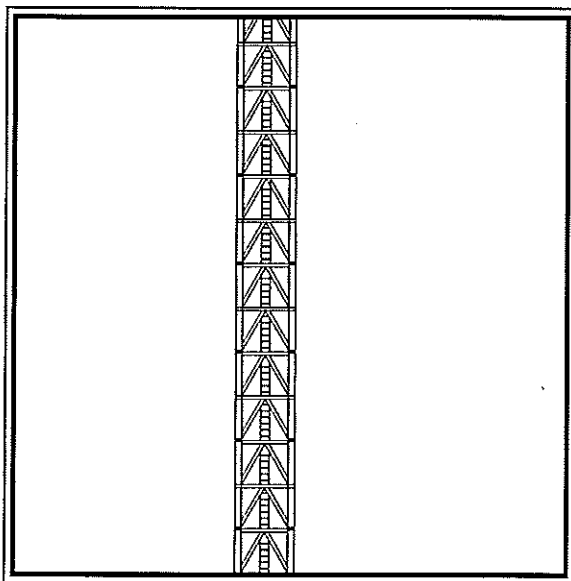


M220DX CONSTRUCTION TOWER CRANE



Technical Data Sheet

FAELLE
FAVCO



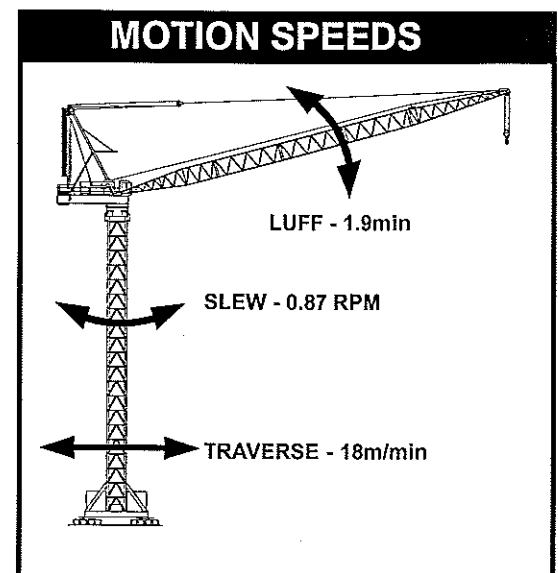
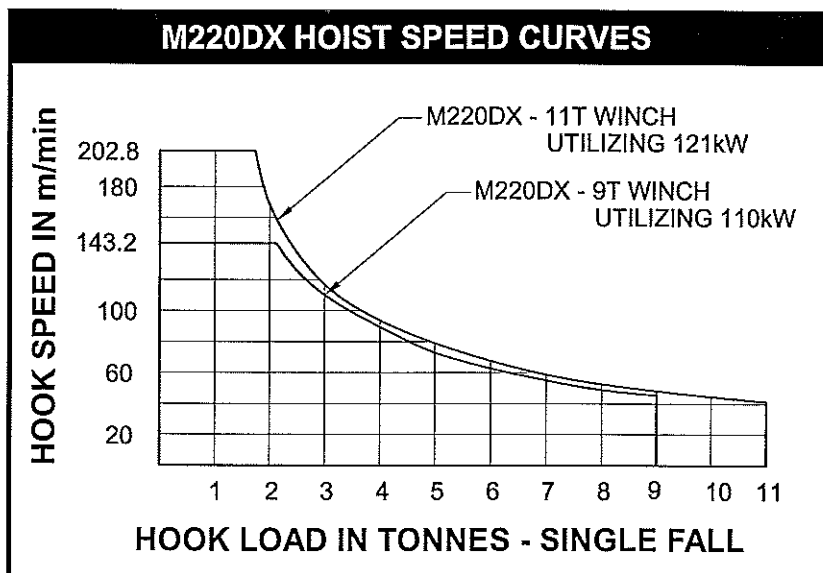
A subsidiary of Muhibbah Engineering (M) BHD

RADIUS & CAPACITY

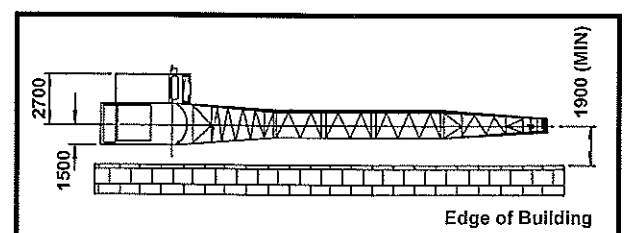
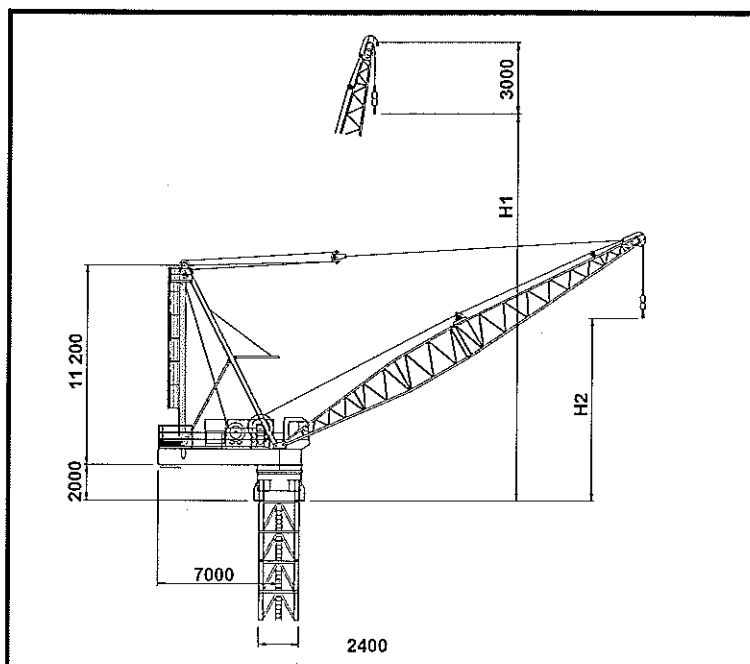
BOOM LENGTH (m)	MINIMUM RADIUS (m)	MAX RADIUS FOR 18T	RADIUS (METRES) & CAPACITY (TONNES) (11 TONNE & 9 TONNE WINCHES & 2-FALL HOOK)																				
			10.0 (m)	12.5 (m)	15.0 (m)	17.5 (m)	20.0 (m)	22.5 (m)	25.0 (m)	27.5 (m)	30.0 (m)	32.5 (m)	35.0 (m)	37.5 (m)	40.0 (m)	42.5 (m)	45.0 (m)	47.5 (m)	50.0 (m)	52.5 (m)	55.0 (m)	57.5 (m)	60.0 (m)
61.5	5.2	-	16.0	16.0	14.6	13.5	12.7	12.0	11.2	10.4	9.6	8.8	7.8	7.0	6.3	5.7	5.1	4.7	4.2	3.8	3.4	3.1	2.5
56.9	4.9	12.5	18.0	18.0	16.9	15.8	14.7	13.6	12.5	11.4	10.1	9.0	8.1	7.2	6.5	5.9	5.4	4.9	4.4	4.0	3.5		
52.3	4.7	19.5	20.0	20.0	20.0	20.0	17.1	14.8	12.9	11.3	10.0	9.0	8.0	7.2	6.5	5.9	5.3	4.8	4.4				
47.7	4.2	19.5	22.0	22.0	22.0	20.0	17.5	15.1	13.2	11.6	10.3	9.2	8.3	7.5	6.8	6.2	5.6						
43.1	3.9	19.7	22.0	22.0	22.0	20.1	17.7	15.4	13.5	11.9	10.6	9.5	8.6	7.8	7.1								
38.5	3.7	20.0	22.0	22.0	22.0	20.3	18.0	15.6	13.7	12.1	10.8	9.8	8.8	8.0									
33.9	3.3	20.3	22.0	22.0	22.0	20.7	18.3	15.8	13.9	12.4	11.1	10.0											
29.3	3.0	20.5	22.0	22.0	22.0	20.8	18.5	16.2	14.3	12.7													

SPEEDS

(Alternative Speed Configurations Available on Request)

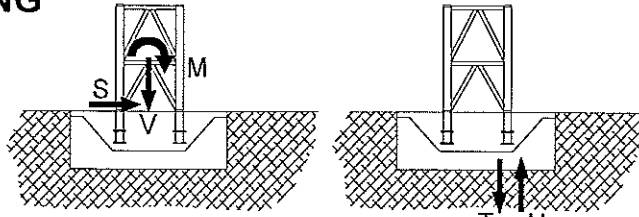
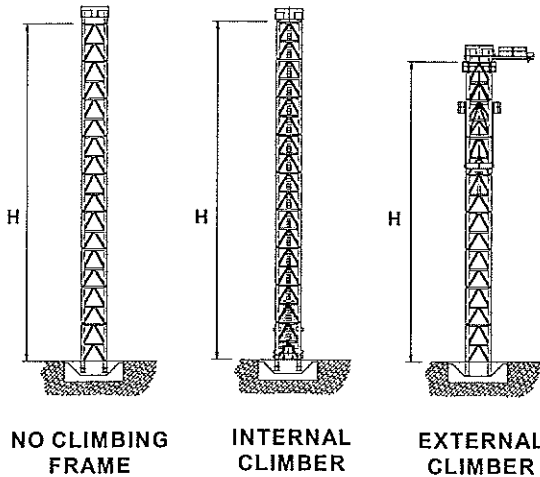


DIMENSIONS



MAXIMUM RADIUS (m)	BOOM LENGTH (m)	HOOK HEIGHT	
		H1 (m)	H2 (m)
60.0	61.5	61.8	15.4
55.0	56.9	57.2	16.4
50.0	52.3	52.7	17.0
45.0	47.7	48.1	17.4
40.0	43.1	43.5	17.5
37.5	38.5	38.9	10.8
32.5	33.9	34.3	11.5
27.5	29.3	29.7	11.7

CRANE ON BASE - FREE STANDING



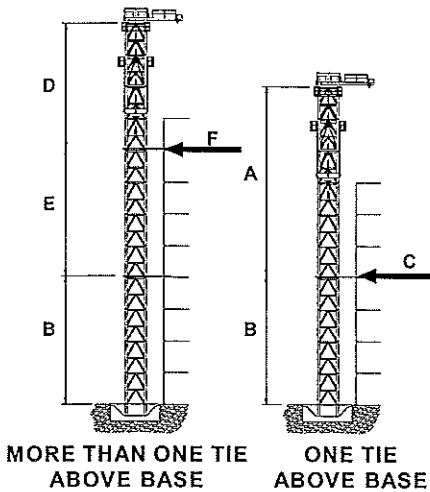
MAXIMUM VALUES T U
AT ONE CORNER

FREESTANDING TOWER HEIGHTS AND FOUNDATION REACTIONS										
	NO CLIMBING FRAME			INTERNAL CLIMBING FRAME			EXTERNAL CLIMBING FRAME			UNITS
TOWER	214	221	391	214	221	391	214	221	391	
H	44	40	40	44	40	44	36	32	40	(m)
M	938	860	997	938	860	997	899	805	1059	(mT)
V	113	113	121	128	128	136	121	120	132	(T)
S	24	23	26	24	23	26	26	25	30	(T)
T	307	384	364	311	388	367	298	363	388	(T)
U	258	335	311	254	332	307	244	310	329	(T)

In-service wind speeds up to 20 m/s & out-of-service wind speeds up to 42 m/s.

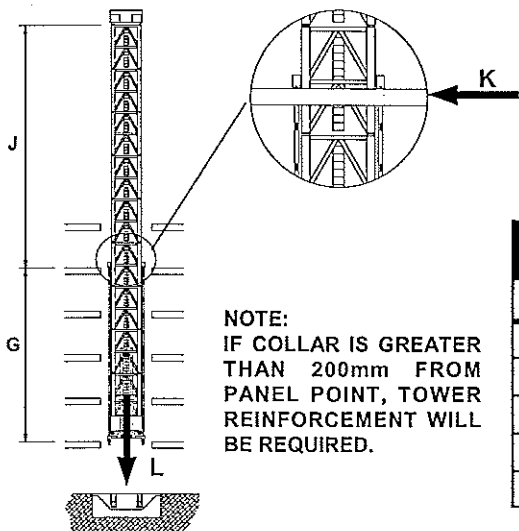
Alternatives available upon request.

EXTERNAL CLIMBING

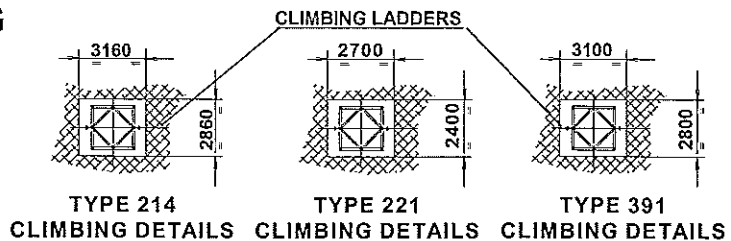


EXTERNAL CLIMBING					
TOWER TYPES:		214	221	391	UNITS
ONE TIE ABOVE BASE					
A	MAX. HEIGHT ABOVE FIRST TIE	36	32	36	(m)
B	MIN HEIGHT TO FIRST TIE	20	24	24	(m)
C	MAX. HORIZONTAL TIE LOAD	94	87	99	(T)
MORE THAN ONE TIE ABOVE BASE					
D	MAX. HEIGHT ABOVE TOP TIE	36	32	36	(m)
E	MIN HEIGHT BETWEEN TOP TIES	16	20	20	(m)
F	MAX. HORIZONTAL TIE LOAD	98	77	88	(T)

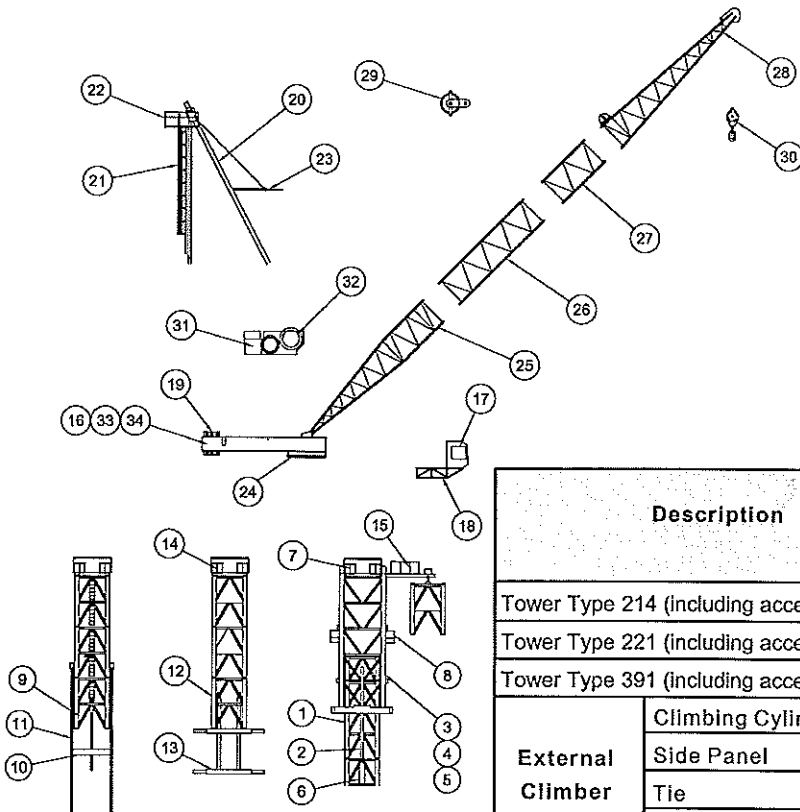
INTERNAL LADDER CLIMBING



NOTE:
IF COLLAR IS GREATER THAN 200mm FROM PANEL POINT, TOWER REINFORCEMENT WILL BE REQUIRED.



INTERNAL LADDER CLIMBING					
	TOWER TYPES	214	221	391	UNITS
G	MIN. DISTANCE BETWEEN COLLARS	12	12	12	(m)
J	MAX. DISTANCE ABOVE TOP TIE	32	28	32	(m)
K	MAXIMUM HORIZONTAL LOAD	75	68	80	(T)
L	TOTAL VERTICAL LOAD	128	128	136	(T)
H	MAX. FREESTANDING HEIGHT	44	40	44	(m)



INTERNAL CLIMBING LADDER (LADDER) INTERNAL CLIMBING CLIMBING (3-BEAM) EXTERNAL CLIMBING CLIMBING

FAVELLE FAVCO

FAVELLE FAVCO CRANES (M) SDN BHD

Lot 9895, 4th Mile, Jalan Kg. Jawa
41000 Klang,
Selangor Darul Ehsan
Malaysia
Tel: 603 333 7835, 603 333 7836
Fax: 603 333 7842

FAVELLE FAVCO CRANES PTE LTD

No. 6 Sungei Kadut Loop
Singapore 729 453
Tel: 65 366 3508
Fax: 65 366 3503

FAVELLE FAVCO CRANES PTY LTD

28 Yarrunga Street Prestons
NSW 2170 Australia
P.O. Box 456 Liverpool BC
NSW 1871 Australia
Telephone: 61 2 9607 0055, 61 2 9608 2000
Fax: 61 2 9607 0022, 61 2 9607 2728
E-MAIL: favcosyd@favellefavco.com.au

Description		Pos	Qty	L Length (m)	W Width (m)	H Height (m)	Weight per item (kg)
Tower Type 214 (including access ladders)		1	-	4.000	2.464	2.464	3571
Tower Type 221 (including access ladders)		1	-	4.000	2.004	1.997	3930
Tower Type 391 (including access ladders)		1	-	4.000	2.404	2.397	4070
External Climber	Climbing Cylinder	2	2	5.085	0.292	0.292	1400
	Side Panel	3	2	11.520	0.320	2.424	920
	Tie	4	2	4.200	0.300	2.760	475
	Tie	5	1	4.270	0.110	2.580	430
	Climbing Support	6	2	2.600	1.350	0.355	350
	Top Access Platform	7	2	3.250	1.060	1.235	210
	Bottom Access Platform	8	2	3.250	1.053	1.235	195
Internal Ladder Climber	Bottom Climbing Tower (Inc Cylinders)	9	1	4.000	2.411	2.400	13250
	Climbing Foot	10	1	2.450	0.350	0.700	1025
	Climbing Ladder	11	?	0.210	0.170	7.985	525
3 - Beam Climber	Bottom Climbing Tower	12	1	4.000	2.404	2.397	5000
	Climbing Beams	13	1	2.400	0.802	0.450	1300
Slew Mount		14	1	3.100	2.876	1.673	4330
Monorail Beam & Trolley		15	1	6.820	0.660	1.300	1451
Machinery Deck		16	1	8.352	2.384	1.250	8000
Cabin		17	1	1.700	1.100	2.100	1200
Cabin Support		18	1	4.000	1.335	1.325	330
Counter-weights (Steel)		19	6	2.000	1.000	1.050	5000
Mast & Sheaves		20	1	11.000	2.500	0.650	3750
Mast Ladder		21	1	10.300	0.812	0.935	275
Mast Platform		22	1	1.480	1.640	1.100	175
Boom Buffer		23	1	2.700	0.205	2.246	175
Slew Ring		24	1	2.235	2.235	0.142	851
Bottom Jib Section		25	1	6.400	2.134	2.134	1020
Jib Extension Section		26	1	4.600	2.134	2.134	572
Jib Extension Section		27	1	9.200	2.134	2.134	1040
Top Jib Section		28	1	9.100	2.134	2.134	1200
Bridle		29	1	1.020	0.640	0.790	577
2 - Fall Hook		30	1	0.750	0.374	1.800	350
Powerpack Winches		31	1	3.100	1.750	1.950	5000
Hoist Rope		32	1	300.000	-	-	700
Split Deck - Front		33	1	3.630	3.000	1.150	4500
Split Deck - Back		34	1	4.350	3.000	1.150	3500

Distributed By: