

AUXILLARY

LOADING BAY MKI



Manufacturer - Reds Global

Model – Workbox MKI

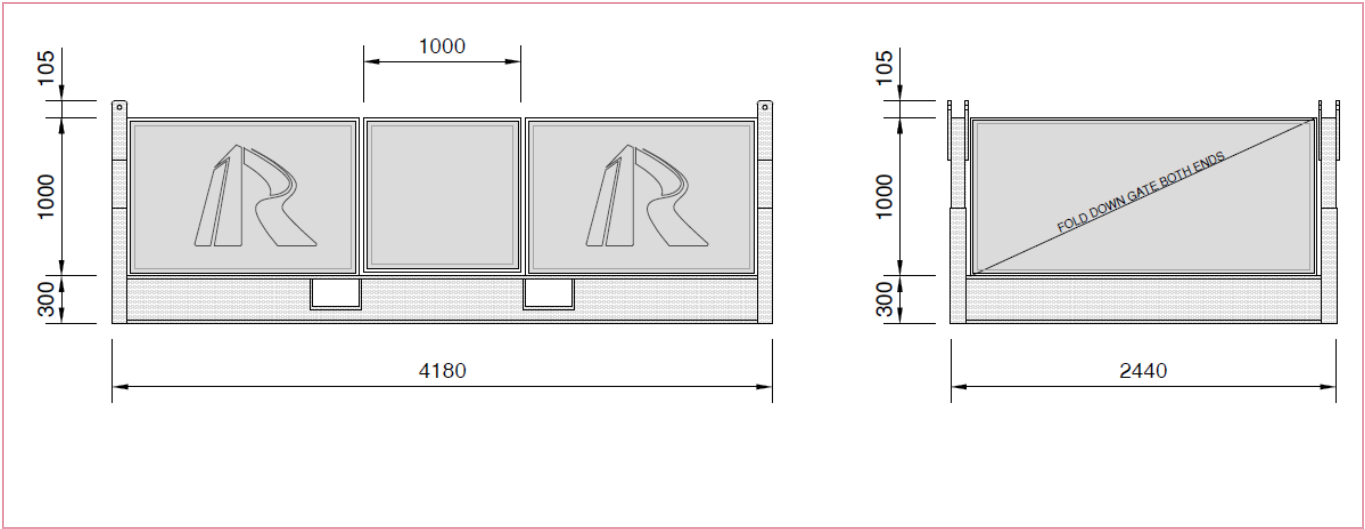
Our oversize workbox allows the simple loading and moving of heavier loads. With dual access ramps on each side.

Whether moving multiple heavy items at once or simply completing small tasks or inspections, this large workbox will meet your project needs.

Specifications

- Tare Mass 2400kg
- SWL with NO occupants 20T
- SWL with 7 occupants 1250kg
- Certified lifting gear supplied

Spec Sheet
LOADING BAY MKI



This spec sheet is provided for information only and is subject to change.