

AUXILLARY

Kibble



Manufacturer – Eichinger Kibble

Model – 1036

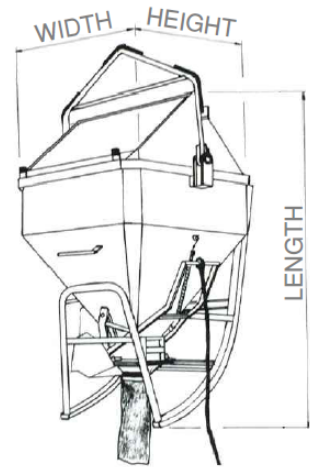
The 1036 kibble has a spring loaded chute which is operated by a pull rope when you want the concrete to flow, release the rope and the chute snaps shut. It comes with a 3m rope and 3m hose which makes it much easier to pour core filled walls and columns. It is a rugged design and is built to European standards.

KEY BENEFITS

- Remove-able chute for ease of cleaning
- Can be used with 80mpa concrete
- Increased safety for use in tight locations
- 1250L, 1500L, 1750L & 2000L Capacity's
- Made in Germany

Spec Sheet
Kibble

CAPACITY	LENGTH	HEIGHT	WIDTH	WEIGHT
2000L	2650	1500	1500	650kg
1750L	2575	1500	1500	640kg
1500L	2400	1500	1500	570kg
1250L	2300	1500	1500	540kg
1000L	2150	1200	1200	380kg



This spec sheet is provided for information only and is subject to change.