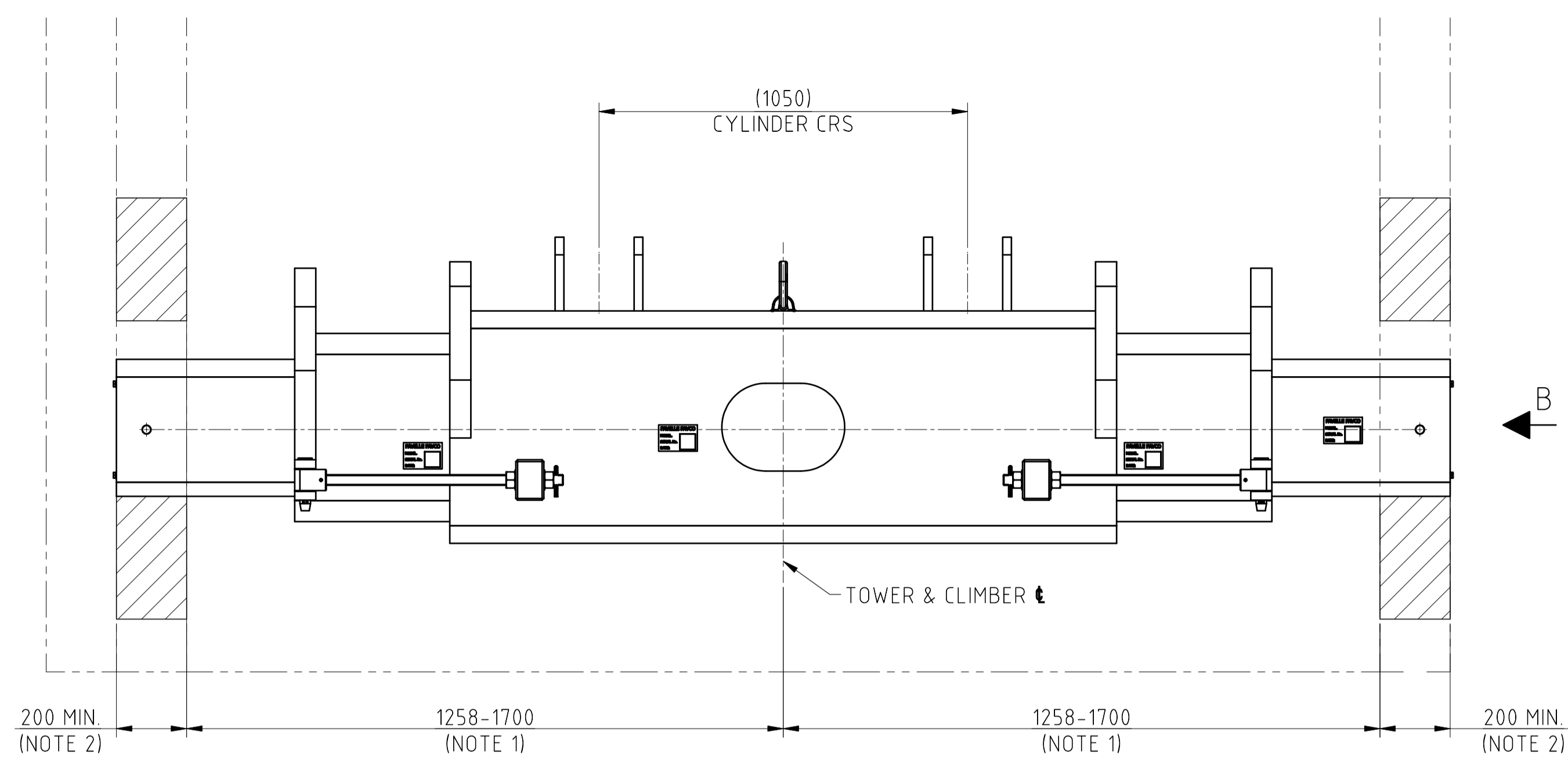
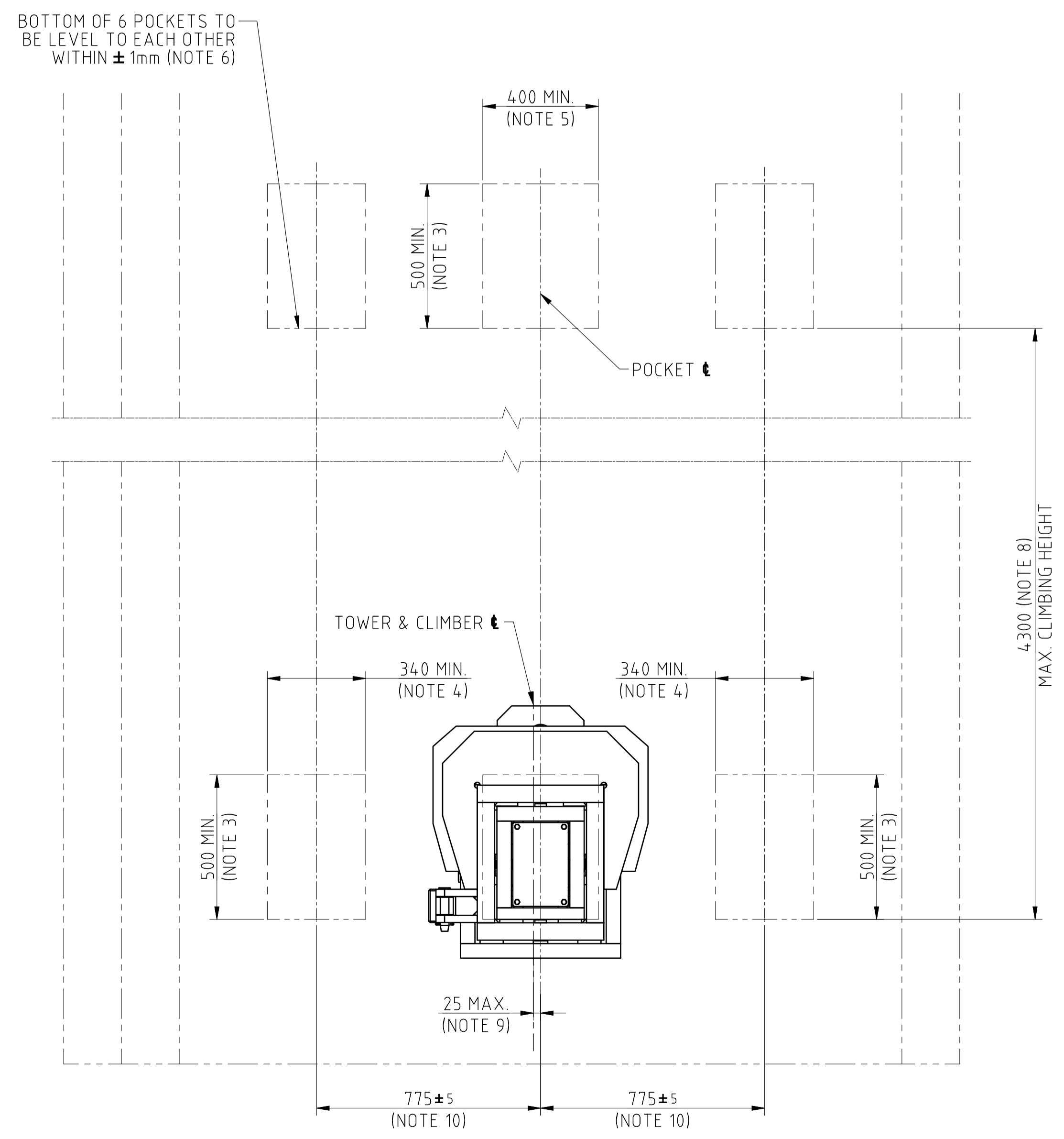


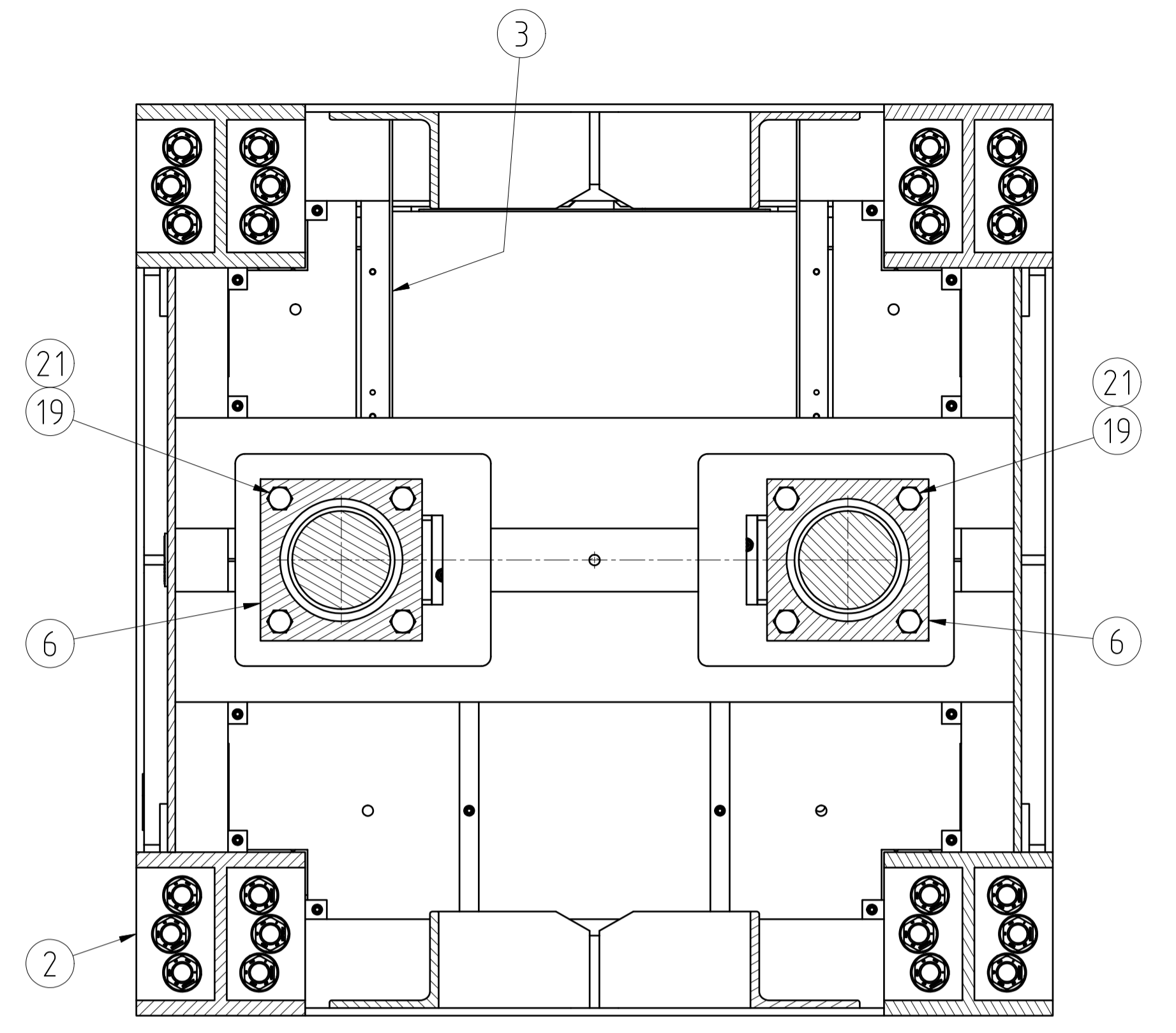
ISOMETRIC VIEW



SHAFT AND CLIMBING POCKET DIMENSION AND TOLERANCE
SCALE 1: 12.5



VIEW B
SCALE 1: 12.5



SECTION A-A
SCALE 1:10

NOTES:

1. THE DIMENSION FROM THE CENTERLINE OF THE CLIMBING TOWER TO INSIDE OF LIFT WALL SHALL BE BETWEEN 1258mm AND 1700mm.
2. THE MINIMUM BEAMS ENGAGEMENT TO CLIMBING POCKETS SHALL NOT BE LESS THAN 200mm.
3. THE HEIGHT OF THE CLIMBING POCKETS SHALL NOT BE LESS THAN 500mm.
4. THE WIDTH OF THE CLIMBING POCKETS FOR ITEM 5 (TOWER MOUNTING BEAM) SHALL NOT BE LESS THAN 340mm.
5. THE WIDTH OF THE CLIMBING POCKETS FOR ITEM 4 (CYLINDER MOUNTING BEAM) SHALL NOT BE LESS THAN 400mm.
6. THE BEAM BEARING SURFACES AT BOTTOM OF THE CLIMBING POCKETS OF A SET OF CLIMBING POCKETS AT EACH CLIMBING LEVEL (CONSISTING OF 6 POCKETS) SHALL ALL BE LEVELED WITH EACH OTHER WITHIN ±1mm.
7. MAXIMUM CYLINDER CAPACITY IS 130.0 TONNE, MAXIMUM STROKE IS 4500mm.
8. THE MAXIMUM CLIMBING HEIGHT = MAX. CLIMBING CYLINDER STROKE - 163mm (CHECK DIM. IN SHT-1) - 30mm, ROUND TO NEAREST 100mm VALUE.
9. THE THREE CLIMBING POCKETS ON THE SAME SIDE OF LIFT SHAFT SHALL HAVE THE VERTICAL CENTERLINE OF THEIR CENTER CLIMBING POCKET ALIGNED WITH THE VERTICAL CENTERLINE OF TOWER WITHIN 25mm.
10. THE VERTICAL CENTERLINE OF THE OUTER POCKETS SHALL BE LATERALLY DISPLACED FROM THE VERTICAL CENTERLINE OF CENTER CLIMBING POCKET BY 775mm±5mm.
11. THE VERTICAL HEIGHT OF THE FIRST POCKET SHALL BE NOT MORE THAN 4000mm. ABOVE THE LEVEL ON WHICH THE CLIMBING BEAM IS INITIALLY PLACED.
12. MAXIMUM IN SERVICE VERTICAL LOAD ON TOWER BEAMS IS 286 TONNE (TOTAL).

1/08/17	ORIGINAL ISSUE TAKEN FROM A7440-0068	-	A
Date	Description	ECN Number	Rev
TOLERANCES			
Machined Dimensions: Tolerances required UNO.			
≤30 ±0.2	>30 - ≤100 ±0.3	>100 - ≤300 ±0.5	>300 - ≤1000 ±0.8
Structural Components: Tolerances required UNO.			
≤1000 ±1	>1000 - ≤2000 ±2	>2000 - ≤3000 ±3	>3000 - ≤6000 ±4
>6000 - ≤9000 ±5			
FAVELLE FAVCO FAVELLE FAVCO CRANES PTY. LTD, Australia A.B.N. 29 067 562 449 A subsidiary of FAVELLE FAVCO BERHAD A member of MUHBBAH ENGINEERING BHD			
Title			
INTERNAL 3 BEAM CLIMBER ASSEMBLY - 315 TOWER			
Drawn	Draft Checked	Eng Checked	Approved
PY	NPV	NPV	JPD
Scale:	Sheet:		
1:25	2 OF 2		
Weight	First Used On S/No	Drawing Number	
28 TONNE	6T-B-7506	A7440-0071	